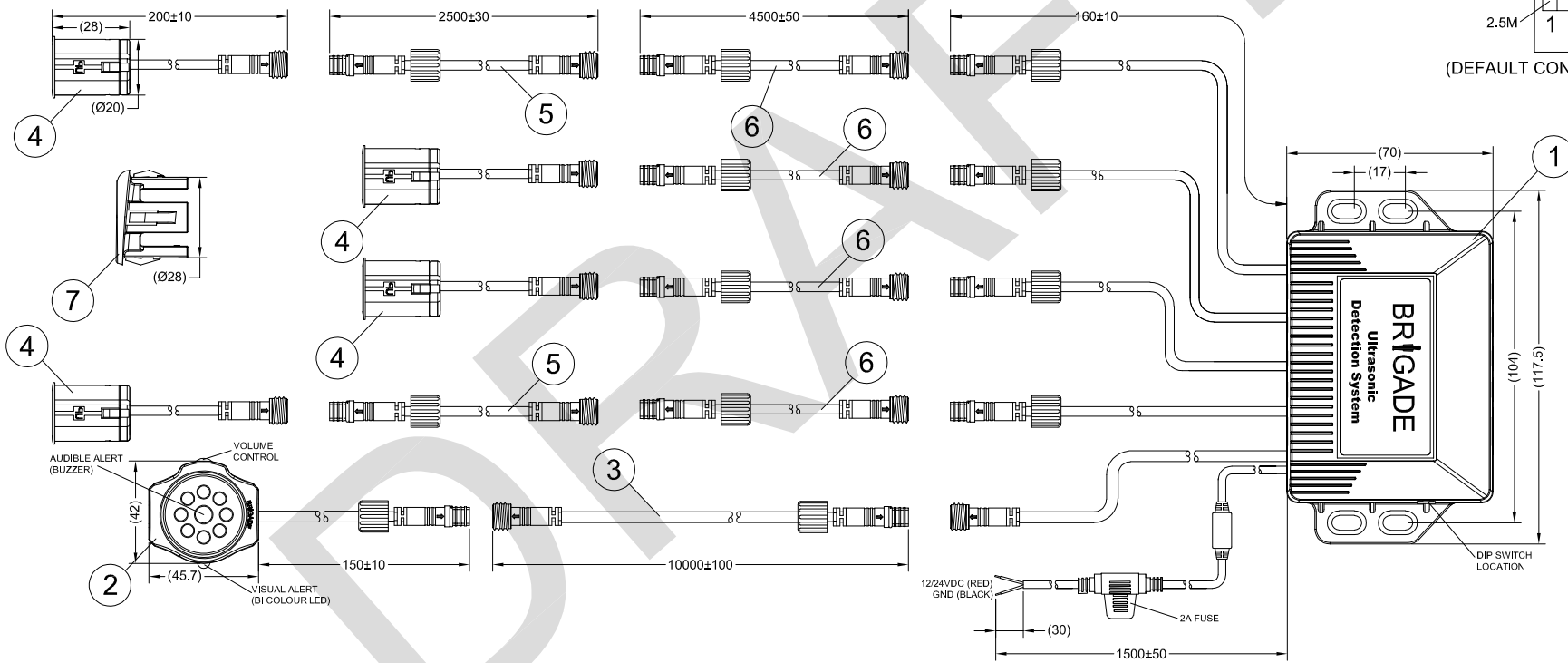
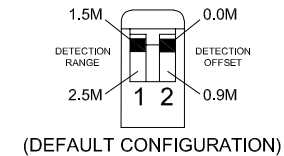
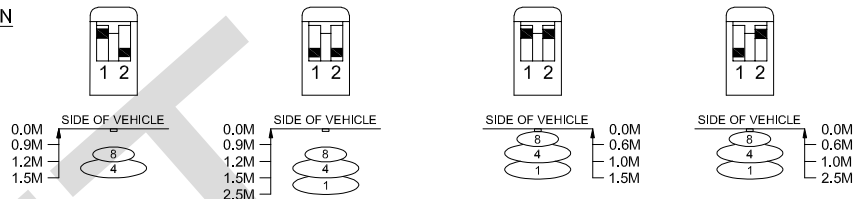


ITEM	PART NO.	QTY	MODEL / DESCRIPTION
①	(5761)	1	SS-4100W-ECU(TA) SIDE SCAN ECU
②	(3715)	1	UDS-001BZ BUZZER WITH LED
③	(3716)	1	UDS-10BC 10M BUZZER CABLE
④	(3718)	4	UDS-000HSS HIGH SENSITIVITY SENSORS
⑤	(3719)	2	UDS-2.5SC 2.5M SENSOR CABLE
⑥	(3720)	4	UDS-4.5SC 4.5M SENSOR CABLE
⑦	(3721)	4	UDS-00SS SENSOR SLEEVES 0°
⑧	(3723)	4	UDS-11SS SENSOR SLEEVES 11° (NOT SHOWN)
⑨	(3727)	4	UDS-00SMP 0° RUBBER PAD (NOT SHOWN)
⑩	(3726)	4	UDS-00SM SENSOR MOUNT (NOT SHOWN)
⑪	(3730)	1	SS-4000-FIX FIXING KIT (NOT SHOWN)

DIP SWITCH CONFIGURATION

8 = 8 FPS & CONSTANT TONE
 4 = 4 FPS & 4 BPS
 1 = 1 FPS & 1 BPS



- NOTES:**
1. WHEN THE SYSTEM IS POWERED BUT NOT DETECTING THE VISUAL ALERT WILL REMAIN GREEN.
 2. WHEN THE SYSTEM DETECTS AN OBJECT AND THERE IS NO CHANGE IN DETECTION DISTANCE AFTER 4 SECONDS, THE VISUAL ALERT WILL REMAIN RED ALTHOUGH THE AUDILE ALERT WILL BE SILENCED.
 3. SHOULD THE SYSTEM DEVELOP A FAULT THE ECU WILL BEEP ONCE FOR ONE FAULTY SENSOR, TWICE FOR TWO FAULTY SENSORS ETC...
 4. ALL AUDIBLE WARNINGS ARE MEASURED IN BEEPS PER SECOND (BPS).
 5. ALL VISUAL WARNINGS ARE RED AND ARE MEASURED IN FLASHES PER SECOND (FPS).
 6. EACH DIP SWITCH CONFIGURATION DIAGRAM SHOWS 1 SENSOR ONLY. THE SAME OPERATION APPLIES TO ALL 4 SENSORS.

PROPRIETARY NOTICE
 THIS DESIGN AND TECHNICAL INFORMATION APPEARING ON THIS DRAWING IS THE PROPERTY OF BRIGADE ELECTRONICS, AND IS DISCLOSED IN CONFIDENCE. IT IS NOT TO BE COPIED, REPRODUCED, REVEALED TO OR EXPROPRIATED BY OTHERS, EITHER IN WHOLE OR IN PART WITHOUT THE EXPRESS WRITTEN CONSENT OF BRIGADE ELECTRONICS.



Assembly Pl Approval A.YAO	Approved by B.CHILDS	Checked by J.TYRRELL	Drawn by W.SINDEN
Angle of Projection	Units mm	Scale N/A	Released 00/00/00
Third Angle	Status DRAFT	SS-4100W-ECU(TA)	
	Part No 5708	BE-003995-00-19	